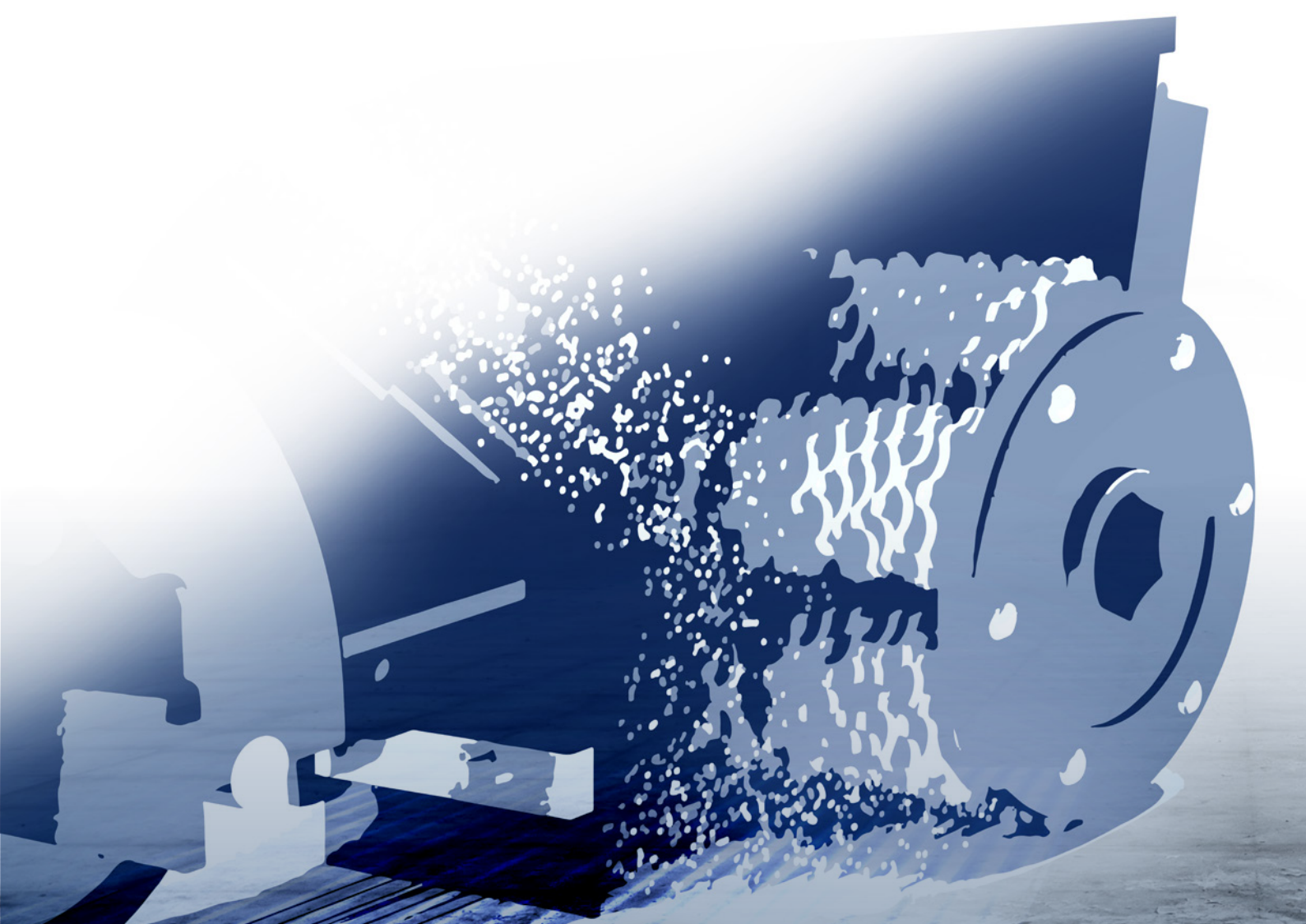




A BETEK BRAND



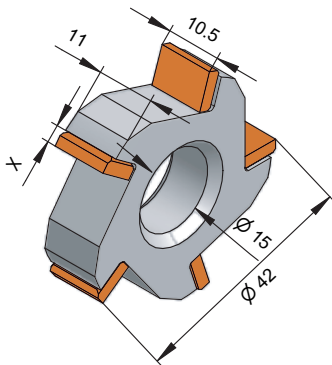
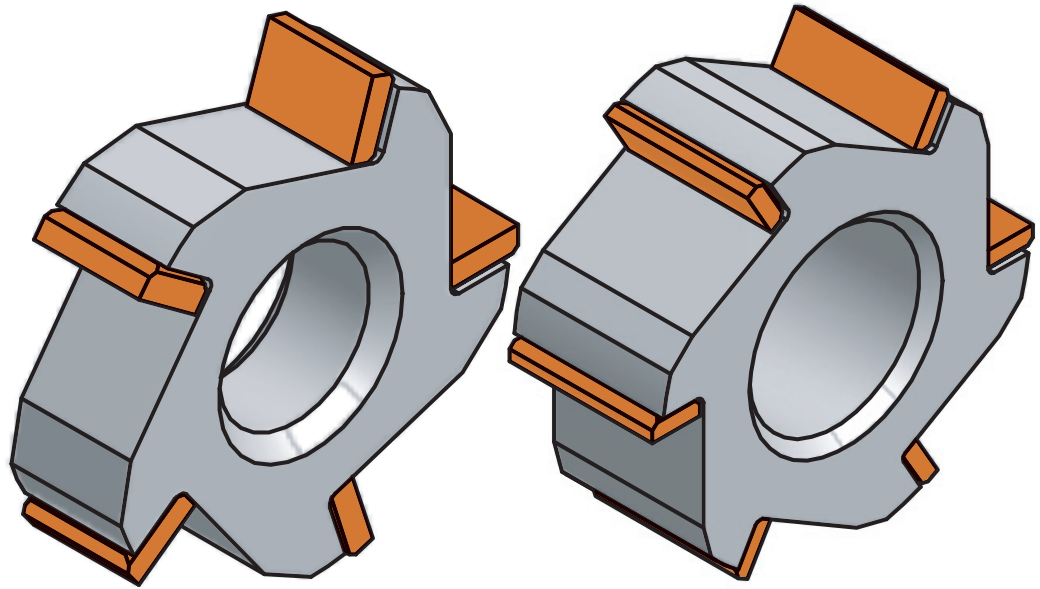
SITEK

MILLING CUTTERS



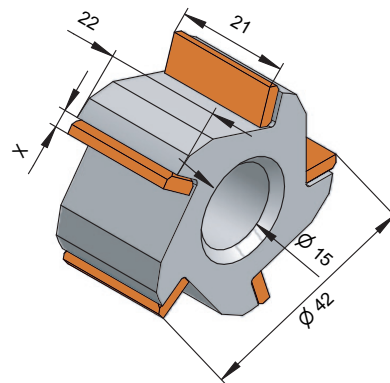
MILLING CUTTERS

► SCARIFIER MACHINES



- **MC 5P 42-11/15-2.8**

Article No.	5040094
Thickness of tungsten carbide plate X	2.8

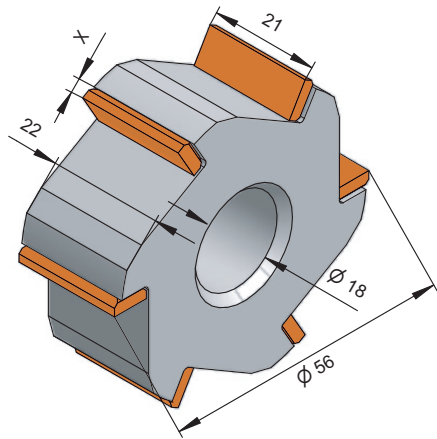


- **MC 5P 42-22/15-2.8**

Article No.	5040194
Thickness of tungsten carbide plate X	2.8

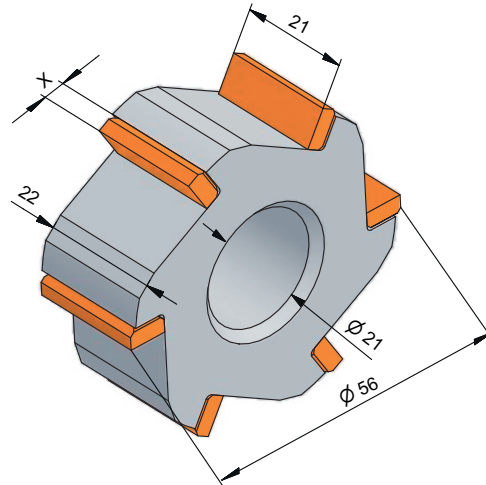
- **MC 5P 42-22/15-3.6**

Article No.	5040193
Thickness of tungsten carbide plate X	3.6



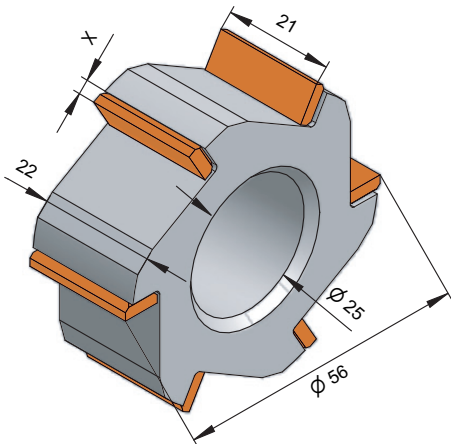
• **MC 6P 56-22/18-2.8**

Article No.	5041294
Thickness of tungsten carbide plate X	2.8



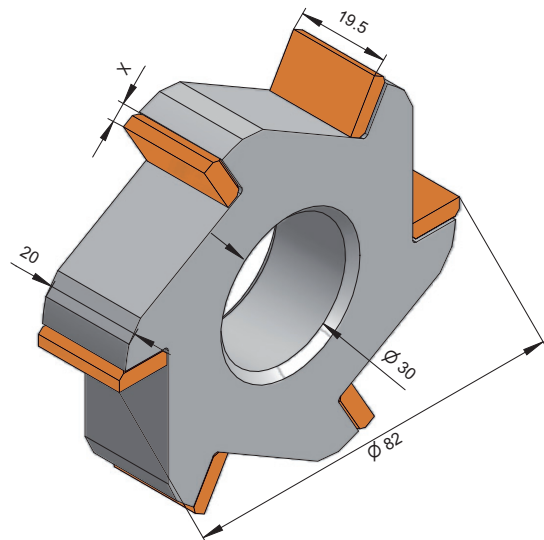
• **MC 6P 56-22/21-3.6**

Article No.	9003933
Thickness of tungsten carbide plate X	3.6



• **MC 6P 56-22/25-2.8**

Article No.	5041394
Thickness of tungsten carbide plate X	2.8



• **MC 6P 82-20/30-4.0**

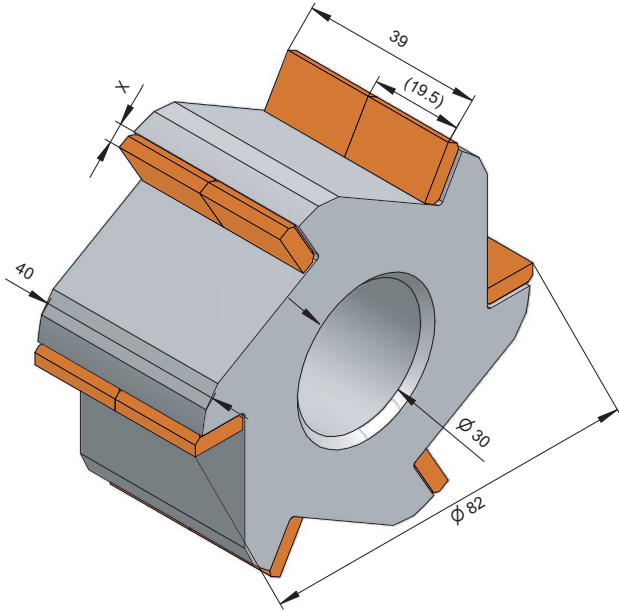
Article No.	5040204
Thickness of tungsten carbide plate X	4

• **MC 6P 82-20/30-4.8**

Article No.	5040219
Thickness of tungsten carbide plate X	4.8

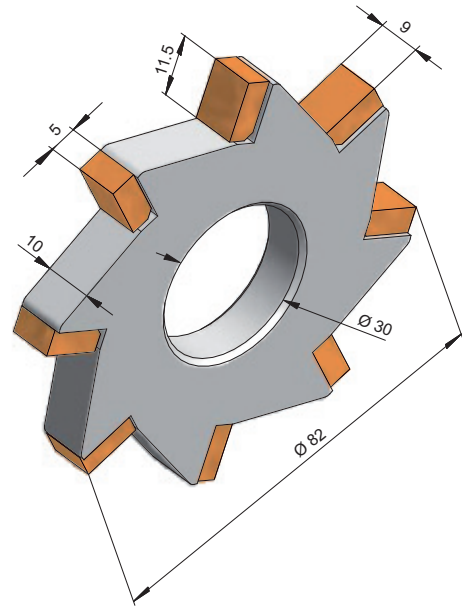
MILLING CUTTERS

► SCARIFIER MACHINES



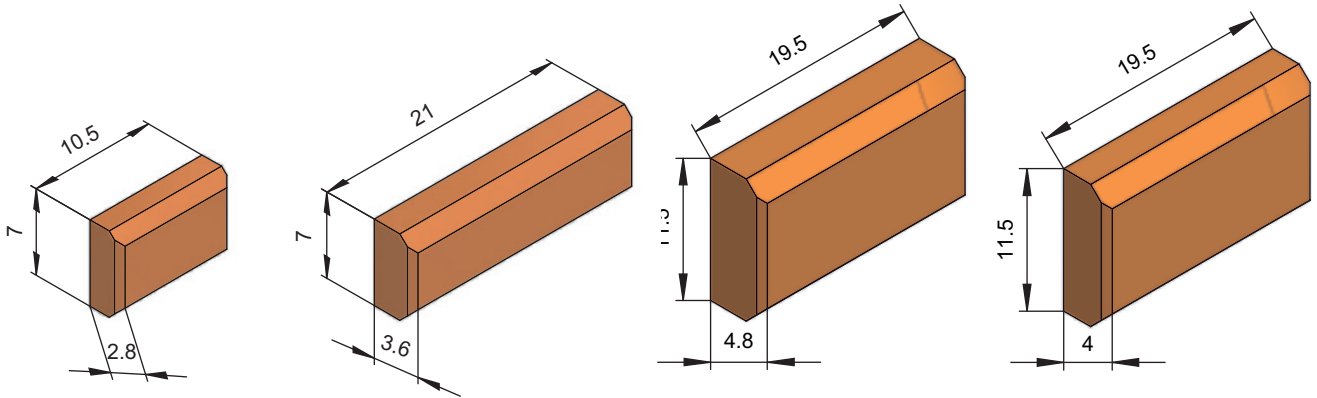
- **MC 6P 82-40/30-4.0**

Article No.	5040404
Thickness of tungsten carbide plate X	4



- **MW 8P 82.5-10-5/30**

Article No.	9001524
Thickness of tungsten carbide plate X	5



- **Tungsten carbide plates**

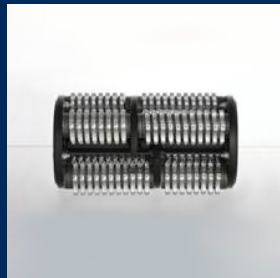


A BETEK BRAND

SITEK - a BETEK Brand
Datenblatt Milling Cutter
Entwurf 1, A.-C. Jahnke 05-23



SITEK's core competence is in type studs for winter tyres. They provide optimum grip on snow and ice.



Carbide tipped SITEK tools are used to roughen or scour concrete and asphalt surfaces.



SITEK threaded studs and carbide tips for horseshoes provide improved grip on roads, snow and ice

BETEK GmbH & Co. KG
Sulgener Str. 21–23
D-78733 Aichhalden
Germany

Fon: +49 (0) 74 22 / 5 65-0

info@betek.de
www.betek.de