



A BETEK BRAND



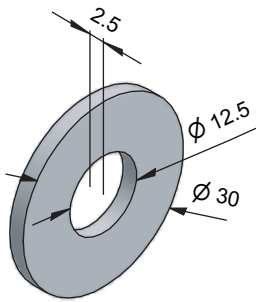
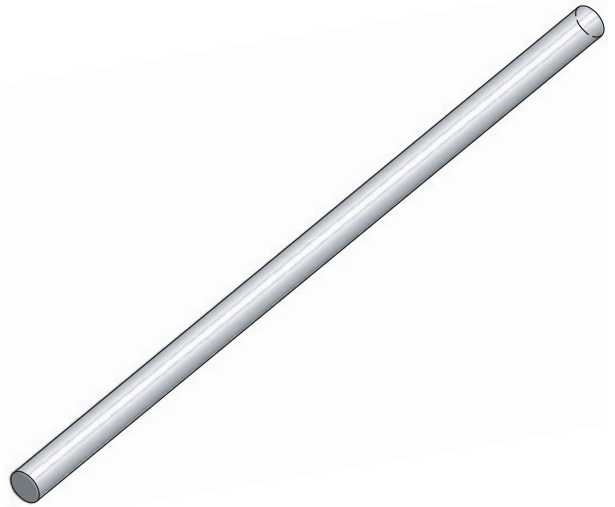
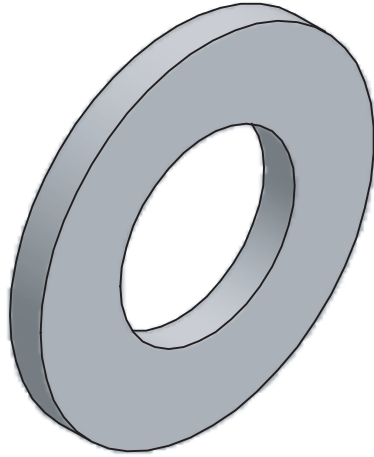
SITEK

WASHERS / SHAFTS



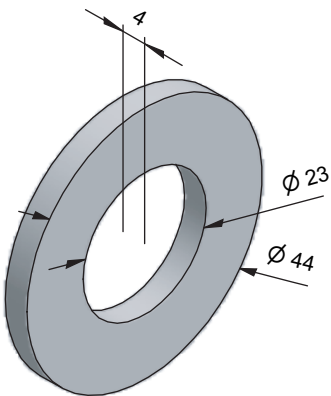
WASHERS / SHAFTS

► SCARIFIER MACHINES



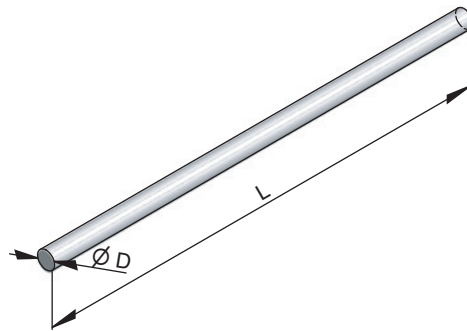
• **SP 30-12.5-2.5**

Article No.	5400007
-------------	---------



• **SP 44-23-4**

Article No.	5400036
-------------	---------



• **SH 10-215**

Article No.	5400058
ϕD	10
L	215

• **SH 12-268**

Article No.	5400016
ϕD	12
L	268

• **SH 12-215**

Article No.	5400017
ϕD	12
L	215

• **SH 20-353**

Article No.	5400032
ϕD	20
L	353

• **SH 20-338**

Article No.	5400044
ϕD	20
L	338

• **SH 20-333**

Article No.	5400028
ϕD	20
L	333

• **SH 22-353**

Article No.	5400027
ϕD	22
L	353

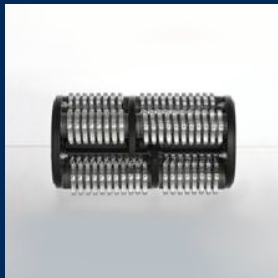
case-hardened 57±3 HRC

→ SITEK

A BETEK BRAND



SITEK's core competence is in type studs for winter tyres. They provide optimum grip on snow and ice.



Carbide tipped SITEK tools are used to roughen or scour concrete and asphalt surfaces.



SITEK threaded studs and carbide tips for horseshoes provide improved grip on roads, snow and ice

BETEK GmbH & Co. KG
Sulgener Str. 21–23
D-78733 Aichhalden
Germany

Fon: +49 (0) 74 22 / 5 65-0

info@betek.de
www.betek.de